

MVE 816P-2T-190 High Efficiency Freezer

Designed to meet the needs of the fertility/IVF repository

Air Products
0800 389 0202



The all new MVE 816P-2T-190 freezer has been created with the fertility market in mind. This freezer is specifically designed to hold vials, straws and SUC-1 canisters which are used by leading fertility clinics worldwide. A constant temperature allows for vapor storage throughout the freezer at near liquid nitrogen temperatures. The innovative inventory system incorporates a two level storage arrangement that utilizes an access portal to allow removal of product stored on the lower level.

Features/Benefits:

- Vapor phase storage temperature of -190°C^*
- Two tier storage system maximizes capacity while minimizing floor space
- High efficiency design with offset neck for lowest possible LN2 consumption
- Available with Battery Backup and Hot Gas Bypass options
- TEC 3000 control system with liquid level control and temperature alarms
- Optional Step

*Temperature tolerance of $\pm 5^{\circ}\text{C}$

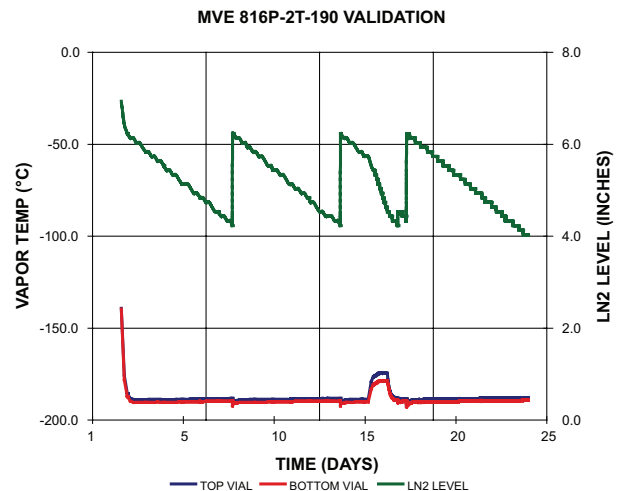


Innovative Inventory System

Two tier storage (with cutout in top tier) allows convenient access to bottom tier.

Temperature Test Graph

* Temp Test indicates typical performance of 816P-2T -190°C freezer with full inventory system and factory recommended level settings. Actual performance may vary with atmospheric conditions and usage.



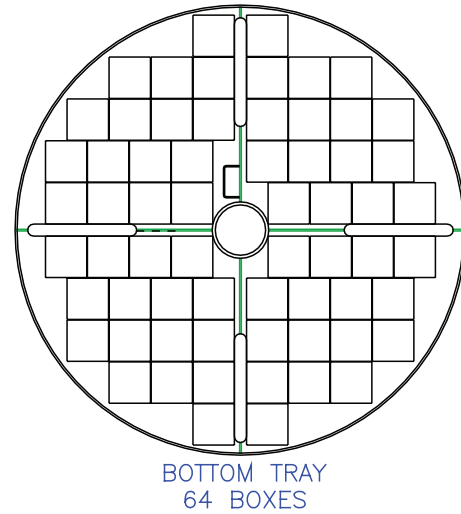
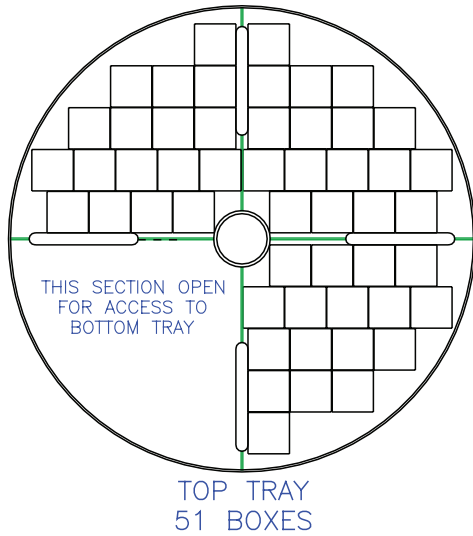
Contact Air Products
for further information
0800 389 0202

Chart Inc. reserves the right to discontinue its products, or change the prices, materials, equipment, quality, descriptions, specifications and/or processes to its products at any time without prior notice and with no further obligation or consequence. All rights not expressly stated herein are reserved by us, as applicable.



Rack Layout for SUC Boxes

115 SUC Boxes Total



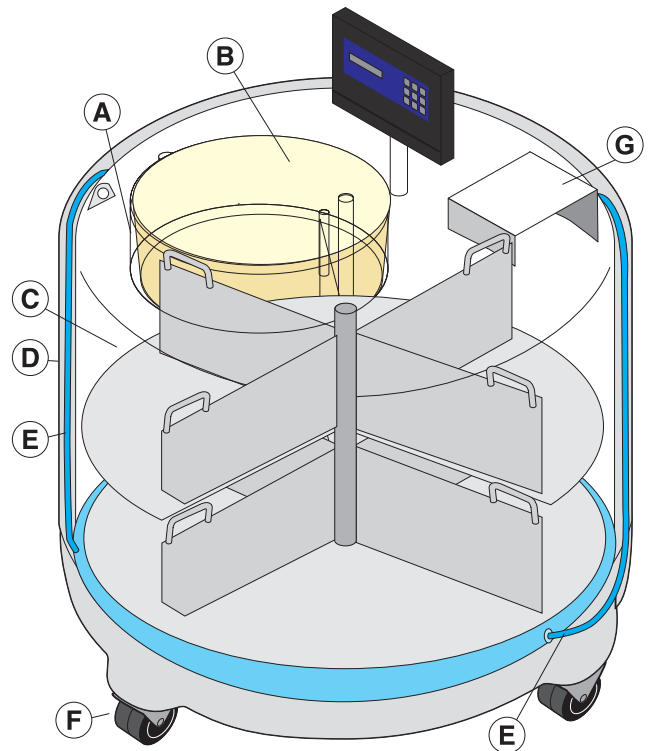
Unit Dimensions

Neck Opening <i>in (mm)</i>	12.5 (317)
Usable Internal Height (per level) <i>in (mm)</i>	13 (330)
Inside Diameter (top) <i>in (mm)</i>	28.7 (728)
Inside Diameter (bottom) <i>in (mm)</i>	27.7 (702)
Outside Diameter <i>in (mm)**</i>	32 (813)
External Height <i>in (mm)</i>	50 (1271)
Liftover Height <i>in (mm)*</i>	40.3 (1024)
Weight Empty <i>lb. (kg)</i>	475 (215)
Weight Liquid Full <i>lb. (kg)</i>	1155 (524)

Unit Capacities

SUC-1 Boxes	115
1.0 mL Vials	15870
1.2 mL Vials	16560
2.0 mL Vials	9200
0.5 cc Straws	35650
0.25 cc Straws	49910
LN2 Capacity (vapor operation)	56 liters

*With optional step. Without optional step, liftover height is 48.3" (1227mm).



- A Offset neck design minimizes liquid nitrogen consumption
- B Lightweight composite lid is scratch and dent resistant
- C Two level rotating tray provides easy access to samples
- D Stainless steel construction reduces maintenance
- E Annular (internal) filling lines minimizes frost build up and reduces maintenance requirements
- F Durable casters equipped with brakes
- G Lid Stand

TWO Year Standard Warranty • FIVE Year Vacuum Warranty

Conforms to MDD 93/42/EEC, the Medical Device Directive for the EU. Freezer systems UL/C-UL Listed.

* Without inventory

** Minimum width required for vessel to pass through opening. Footprint may vary. Contact Tech Service for detailed drawings.



Copyright © 2013 Chart Industries Ref ML-CRY00029 B

Air Products 0800 389 0202